

- ⊗ Quick Measuring of Flange Grooves
- ⊗ No Calibration Needed Prior Use
- ⊗ Light and Comfortable to Handle
- ⊗ Durable Construction

## Measuring Arc

The measuring arc is used with the V-groove kit to measure the groove dimensions on flanges. The Arc offers the additional benefit of being able to measure the groove diameter, while the ID mounted flange facer is mounted on the flange.

The arc offers wide measuring capability, up to 1196mm in diameter.



## V-Groove Measuring Kit

V-groove measuring Kit is used for measuring groove diameter & width and depth of the groove on a RTJ or compact flange.

The kit comes with two connecting rods, that allow for measuring of maximum groove diameter of 440mm. The short rod allows the kit to be used with small OD mounted flange facing machines.

Normaco V-groove measuring kit is built to be easy and comfortable to use. There is no need to calibrate the device after changing the measurement balls, saving time on-site. The measurement balls have corrosion resistant surface coating giving the kit long life time.

The kit is typically used with the inspection charts (not included) that give the operator the quick reference to check if the measurement is within the allowed tolerance.

# V-Groove Measuring kit & Arc

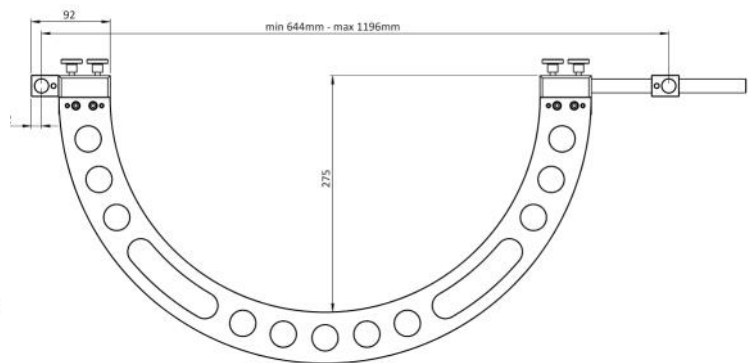


Contents of the V-groove kit	Quantity
Special Analogue Depth Micrometer	1
Key for Micrometer	1
Holder Block	2
Measurement Balls	
Ø 0.125"	2
Ø 0.188"	2
Ø 0.250"	2
Ø 0.375"	2
Ø 0.500"	2
Ø 0.750"	2
Ø 0.875"	2
Connecting Rod L=240mm	1
Connecting Rod L=480mm	1
Hex key 4mm	1
Screws for fixing Balls	4
Block Fixing Thumb Screw	2
Factory Inspection Certificate	1

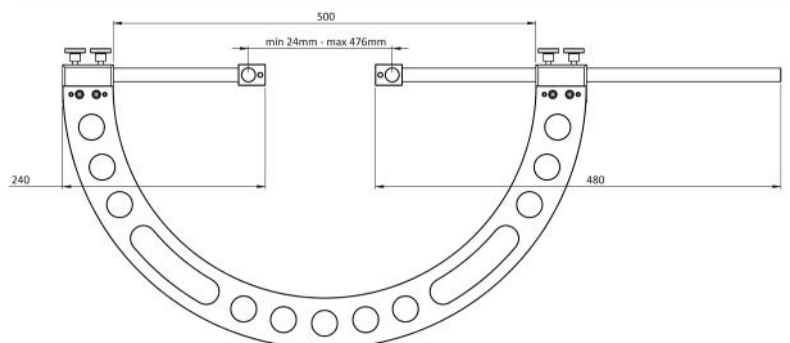
Technical Data:	V-Groove kit	Measuring arc 500
Max measuring Ø	440 mm	1196 mm
Min measuring Ø	24 mm	24 mm
Weight in use	1 kg	2 kg
Shipping weight	4 kg	8 kg
Shipping dimensions	49 x 16 x 5cm	65 x 39 x 4cm
Part Number	301268	301776



Arc configuration with blocks mounted outwards



Arc configuration with blocks mounted inwards



## Normaco Tools OÜ

Sinikivi tee 12  
Lehmja küla, Rae vald  
75306, Estonia  
sales@normaco-tools.com  
+372 6003704