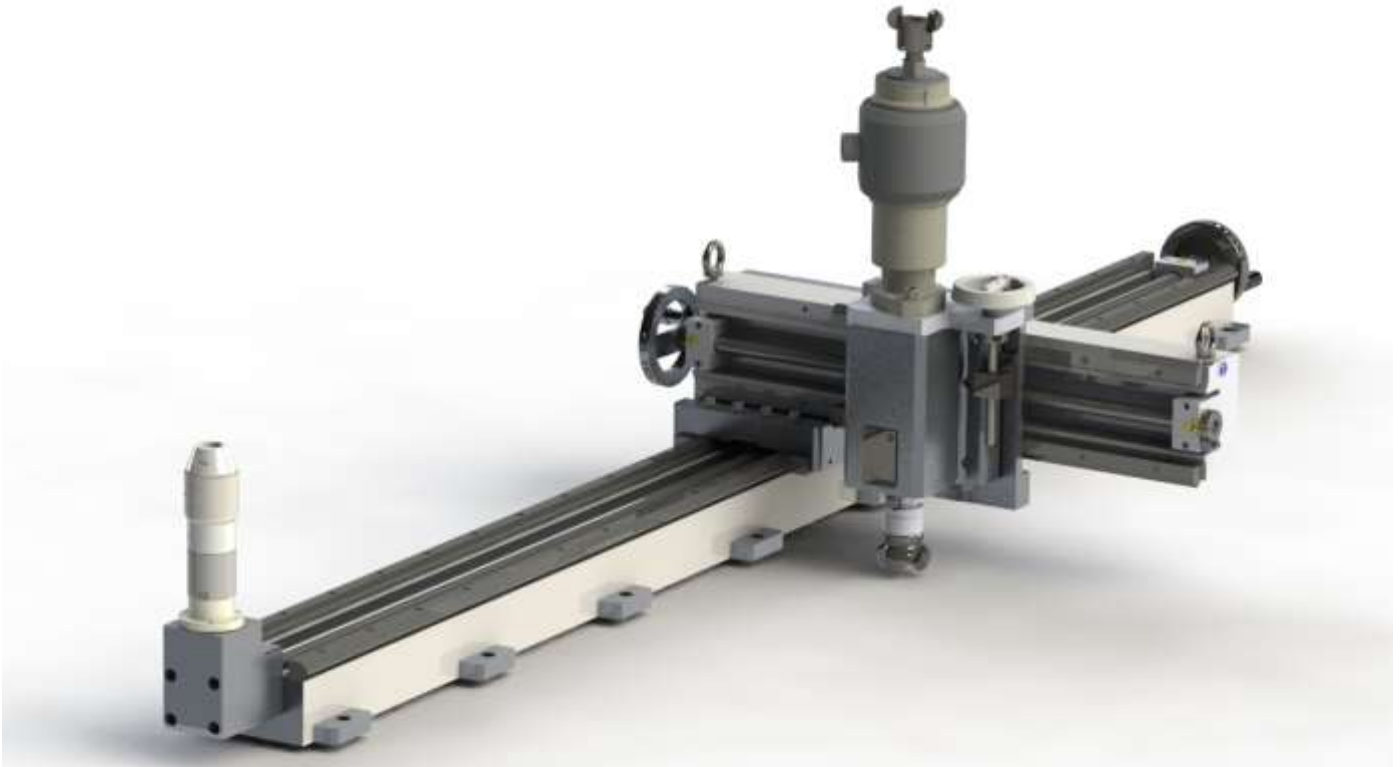


3-Axis HD Portable Milling Machine



- ⊗ 3-Axis portable milling machine
- ⊗ Durable guide rails – no moving parts
- ⊗ Flexible mounting options
- ⊗ Pneumatic drive with ISO40 Spindle
- ⊗ X-Axis auto-feeding
- ⊗ Cold work - no sparking



Normaco HD Milling Machine is portable and pneumatically powered 3-axis milling machine.

This milling machine is suitable for general on-site milling work and can be used in refineries, ship-yards, fabrication, etc.

The Portable Milling Machine is mounted directly to the work piece by bolting, welding or using a magnet base.

Pneumatic motor and low milling cutter speed make it possible to use the portable milling machine in areas where cold work is a requirement.



3-Axis HD Portable Milling Machine

Technical Data	
Travel	X-Axis: 2000 mm
	X-Axis: 300 mm
	X-Axis: 80 mm
Feed	X-axis: pneumatic 1kw & manual
	Y-axis: manual
	Z-axis: manual

Machine Delivery includes
Milling machine with Spindle Motor
Transport and storage box
Analogue indicator for depth measurement
Set of hand tools for operating the machine
Welded or bolted base
CE certification and operation manual

Spindle	Direct drive
	Motor: Pneumatic 3kW
	Depth measurement with analogue read-out
	Spindle ISO 40
	850 rpm

Mounting Options:	
Standard:	Welded or bolted base
Optional:	Magnet base
	Chain base

Weight	Operational weight: ~380 kg
	Shipping weight: ~450 kg



normaco