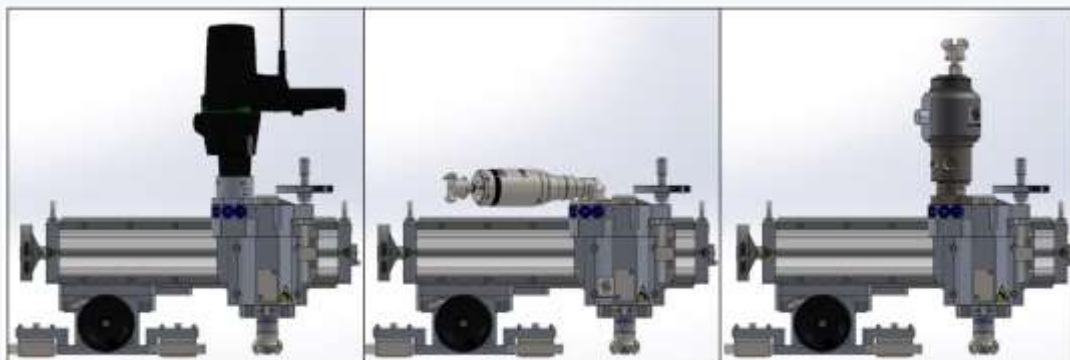




Welcome to our latest newsletter, where we share some updates & news from Normaco.

New Mill Drive Options



Our lightweight portable milling machine range now features an expanded selection of spindle drive motors, offering enhanced adaptability for diverse applications. Choose from a **3 kW air motor** for standard operations, a **2.5**

kW angled air motor designed for restricted spaces with adjustable orientations, or a **1.8 kW electric motor** that runs on a 230 V connection for environments where electric power is preferred. This selection ensures the right drive option for every situation.

[More](#)

Introducing the Bore Measuring Device



Our latest product simplifies the measurement of bore diameters during line boring operations. Designed for accuracy and reliability, it allows measurements to be taken without removing the boring bar, enhancing efficiency and ensuring precise results in machining tasks.

[More](#)

Expanded Rental Offering



We have improved our rental options and now offer a selection of our products for rental. When your project requires it, contact us to learn more about how we can support your needs.

Contact

Follow our channels and see all the latest videos and updates



Normaco Tools ✓

2025-01-06



In this video, we demonstrate the Normaco 3-Axis Portable Milling Machine equipped with an electric spindle drive. The machine is powered by a 1.8 kW electric motor, running on a 230 V connection.

The video highlights the machine setup and operation. With its 3-axis design and compact, portable build, the machine is suitable for use in diverse work environments where mobility is the priority.

[#onsitemachining](#)

[#maintenance](#)

[#normacotools](#)

[#milling](#)

[#machining](#)



 Like  Comment  Share

Normaco Portable Machining Tools

Normaco International Ltd.

You received this email because you have expressed interest in our products directly or via the DirectIndustry.com web-site. If you don't want to hear from us occasionally, click:

[Unsubscribe](#)

