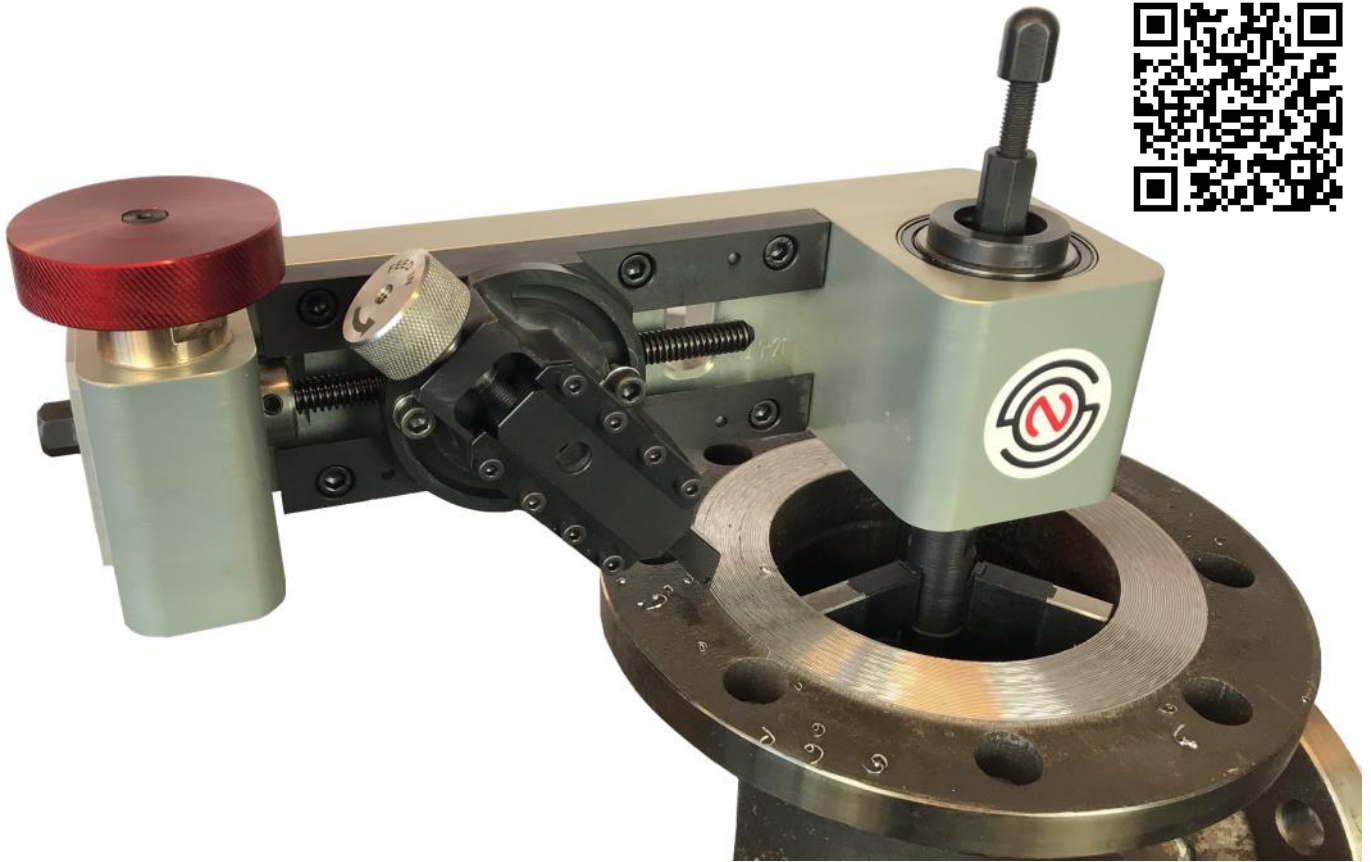




normaco

Portable Machining Tools

Manual Facer



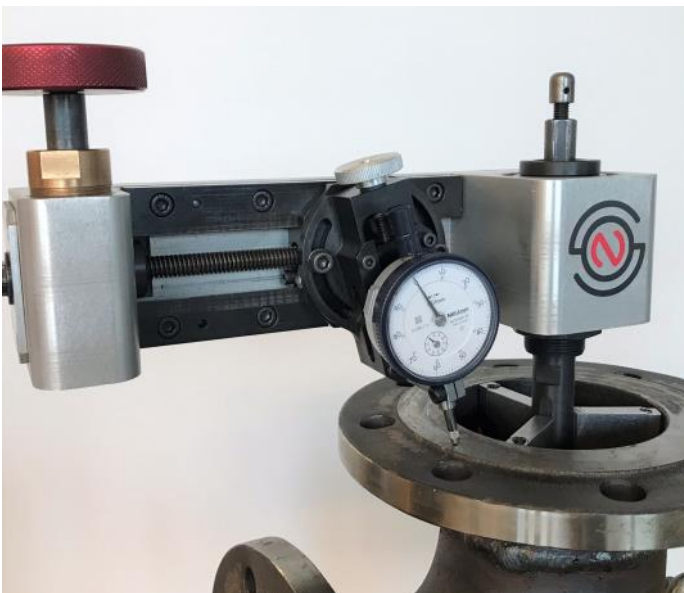
- ⊗ Quick way to re-machine flange surfaces
- ⊗ Easy to carry
- ⊗ Simple and fast to use
- ⊗ No power source required

Normaco Manual Facer is a versatile hand powered solution for facing flanges.

With the Manual Facer it is extremely fast to machine small flanges. As it weighs under 6kg it is easily portable and can be easily taken to worksites.

As it is operated manually and does not require any power source, it is an optimal solution for quick machining jobs on-site.

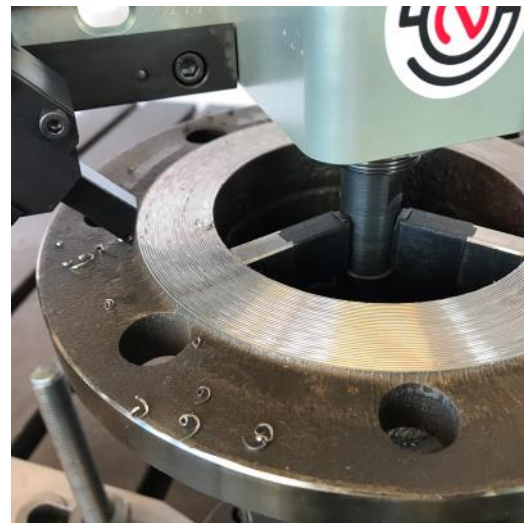
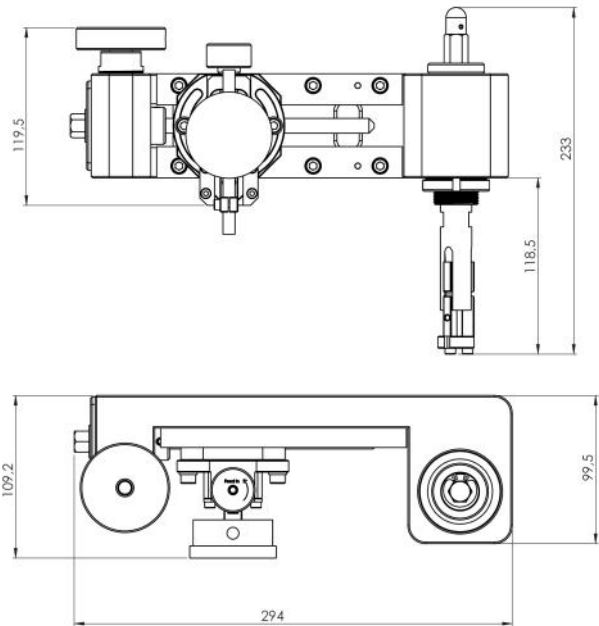
Normaco Manual Facer can make typically needed surface finishes such as phonographic and smooth finish. Surface finish depends on the selected facing tool and feed screw.



Manual Facer

Technical Data:

Operational Weight	5.8kg
Shipping Weight	11.5 kg
Clamping Range	Min ID 24.5mm Max ID 162mm (extendable to 265mm)
Machinable Area	Min D25.5 mm Max D420mm Continuous travel of toolholder: ~80mm
Feed Rate	Standard; 0,8 mm/rev Optional; 0,2 mm/rev for other feed rates, contact Normaco sales
Finishes	Standard: Spiral serrated Optional: Smooth finish



Kit includes

- Manual Facer
- Carry case
- Hand tools (Hex keys, wrench, punch)
- Clamping leg set for the entire range
- Feed set for phonographic
- Set of cutting tools
- Pack of inserts
- Indicator
- Operator manual